

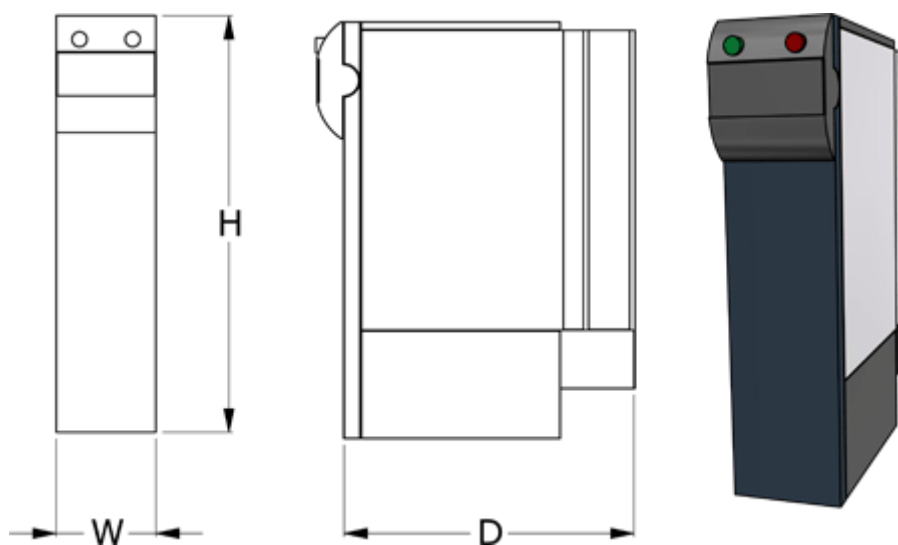
Data Sheet



Article number: 1080201111000

Description: Servocontroller ACU201-11-FA
1,5 kW 7A 1x230V IP20

Measures



D = 175

H = 250

W = 60

Weight = 1.6